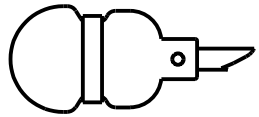


FB-LW-31456-000

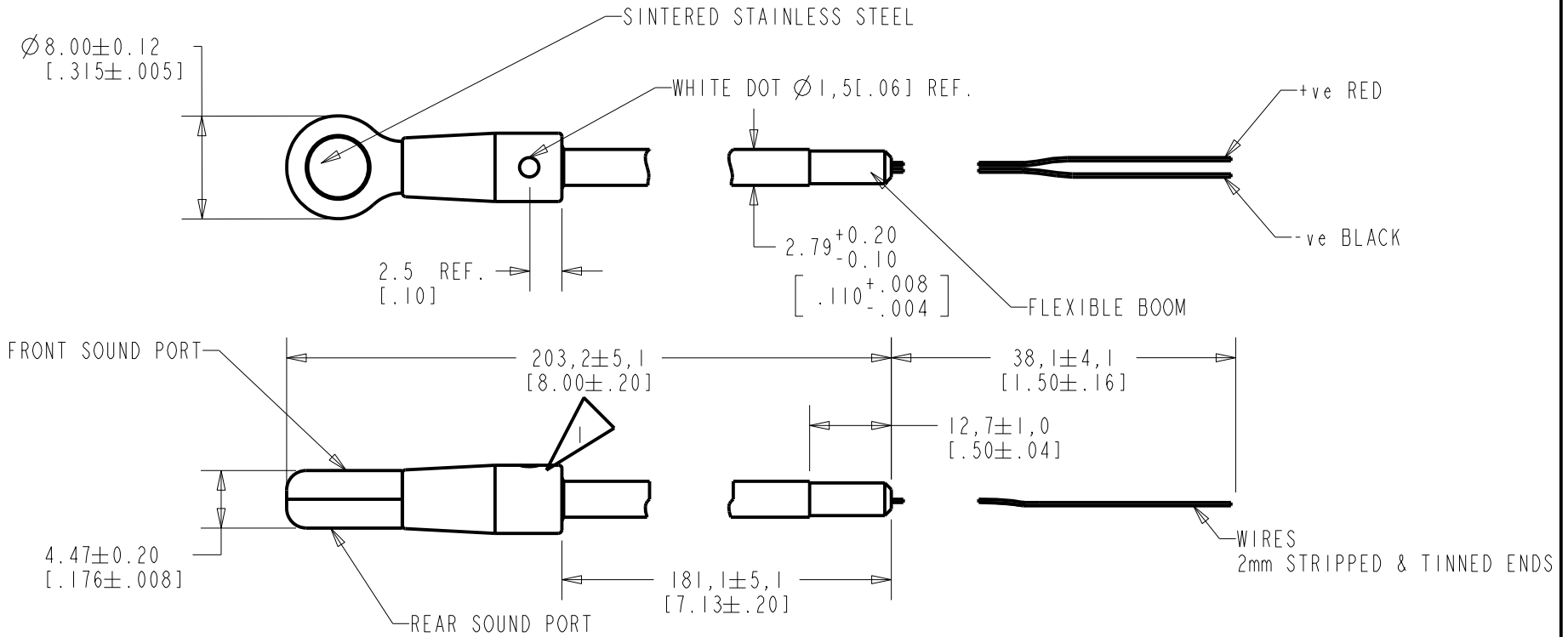
SHT 1.1



TOP VIEW
W/ WINDSHIELD SHOWN
SCALE 1:1

NOTES:

THE FRONT SOUND PORT IS ADJACENT TO THE MODEL NUMBER IDENTIFICATION.



LENGTH	WIRE COLOR		WEIGHT GRAMS
	+ve	OUTPUT -ve	
	RED	BLACK	13,1

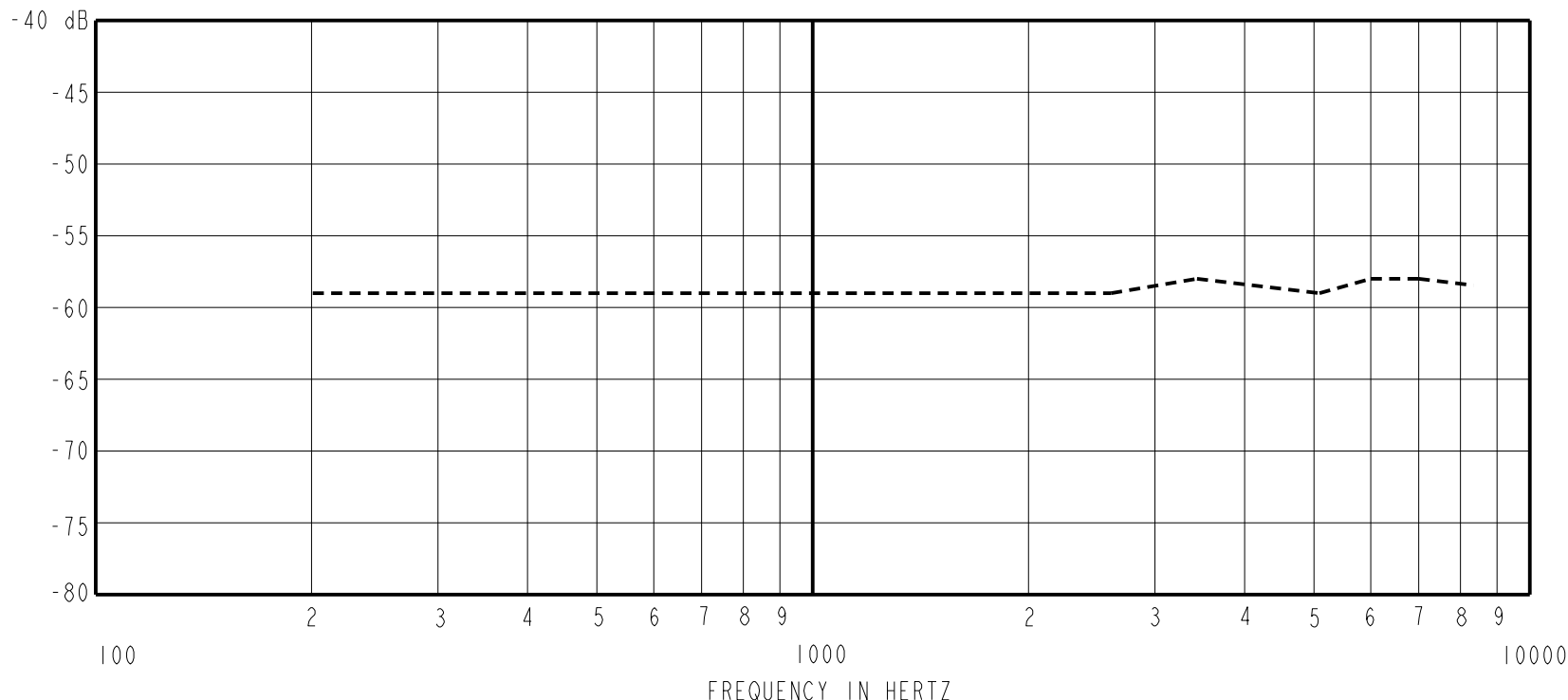
DIMENSIONS IN MILLIMETERS [INCHES]

Revision	C.O. #	Implementation Date	RELEASE LEVEL	REVISION
B	C40100836	11-18-11	Active	B
A	C40100796	10-24-11		

SCALE:	2:1	DR. BY	DATE
DO NOT SCALE DRAWING		OO	10-24-11
TITLE: BOOM MICROPHONE FB-LW-31456-000		CK. BY	DATE
OUTLINE DRAWING		GJP	10-27-11
SHT 1.1		APP. BY	DATE
		GJP	10-27-11

KNOWLES ELECTRONICS
ITASCA, ILLINOIS U.S.A.

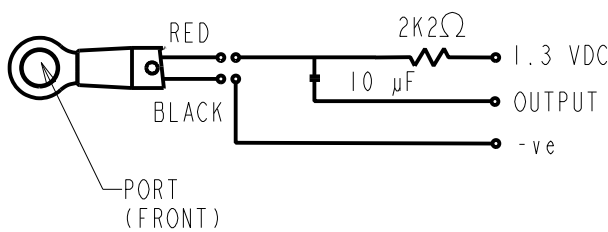
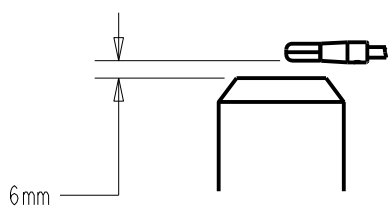
SENSITIVITY IN dB RELATIVE TO 1.0 VOLT/0.1 Pa (N/M²)
FOR CONDITIONS SHOWN BELOW.



FREQUENCY	SENSITIVITY			DEVICE CONFORMITY	
	MIN.	NOM.	MAX.	RANGE OF DEVIATION FROM 1KHz	
300	---	-59.0	---	-4.0	+4.0
1000	-63.0	-59.0	-55.0	0.0	0.0
4000	---	-58.0	---	-3.0	+5.0

NOTES:

- MICROPHONE TO BE FUNCTIONAL WITH 10 VDC SUPPLY.
- SENSITIVITY VALUES INDICATED ON THIS SPECIFICATION ARE VALID AT 50% HUMIDITY.
- TEST CONDITIONS:
HEAD OF BOOM EXPOSED TO SWEPT SOUND FIELD AT 6mm FROM VOICE APERTURE.
ARTIFICIAL VOICE:
B & K 4227 MOUTH SIMULATOR.
- FOR MICROPHONE CAPSULE SPEC. SEE WP-25993-D63 SHEET 2.1.



LEAD IDENTIFICATION
& TEST CIRCUIT

Revision	C.O. #	Implementation Date	RELEASE LEVEL	REVISION
B	C40100836	11-18-11	Active	B
A	C40100796	10-24-11		

KNOWLES ELECTRONICS
ITASCA, ILLINOIS U.S.A.

WHEN TEST LIMITS ARE USED TO ESTABLISH INCOMING INSPECTION ACCEPTANCE/REJECTION CRITERIA, CORRELATION OF TEST EQUIPMENT WITH KNOWLES IS ALSO REQUIRED FOR ELIMINATION OF EQUIPMENT AND TEST METHOD VARIATION

TITLE: **BOOM MICROPHONE** **FB-LW-31456-000**
PERFORMANCE SPECIFICATION **SHT 2.1**

DR. BY	DATE
OO	10-24-11
CK. BY	DATE
GJP	10-27-11
APP. BY	DATE
GJP	10-27-11